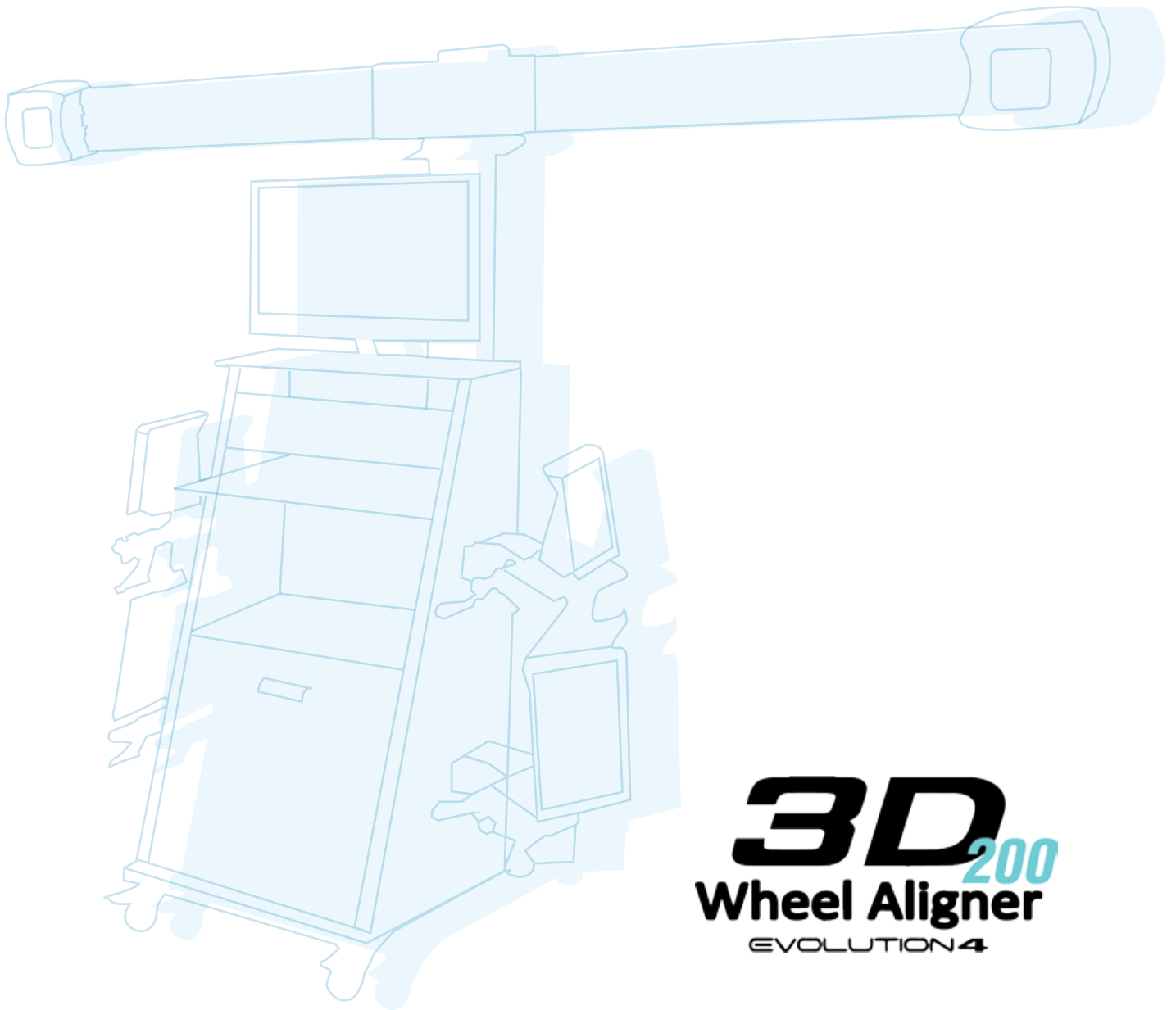




CONTROL VEHICULAR ARGENTINO

**TECHNICAL INFORMATION  
3D WHEEL ALIGNER**



**3D<sup>200</sup>**  
**Wheel Aligner**  
EVOLUTION 4

## 3D WHEEL ALIGNER

### Function:

- Fast and simple diagnosis.
- Real time and high definition readings.
- Front and rear sensors without electronics, made of impact resistant aluminum.
- Readings available in 90 seconds.
- Camera raising column up to 2.7 meters high.

- More alignments in less time, increasing the profitability of your business.
- Possibility for alignment in inspection pits, 4 column hoists and scissors hoists.
- No high-quality floor surface needed for proper performance.



### State-of-the-art sensors

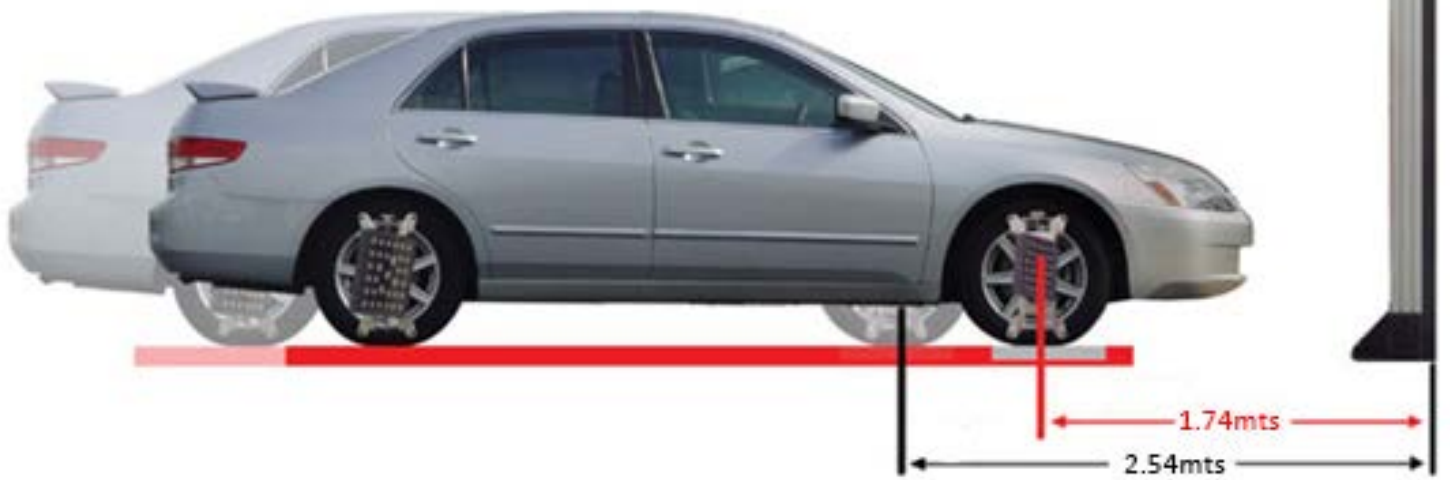
- Zero maintenance for sensors.
- Robust electronics inside.
- Fully wireless and without batteries.
- No calibration needed.
- Easy anchoring for tires of up to 20 inches.

Different measurement distances with short and long distance options.



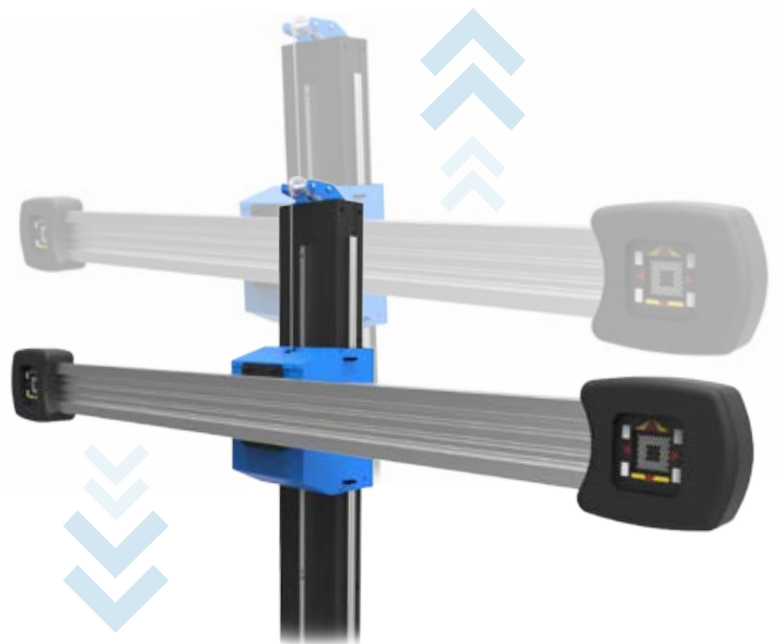
## Technical specifications

Item	Measurement Precision	Measurement Scope
• Display Accuracy	1"/0.001" /0.1mm	
• Warp	+ - 1"/+ - 0.01" + -0.1mm	+ - 30"
• Advance	+ - 2" / + 0.02" + -0.2mm	+ - 30"
• Alignment angle	+ - 2" / + 0.02" + -0.2mm	+ - 30"
• Total convergence	+ - 1" / + 0.001" + -/0.1mm	+ - 30"
• Advance angle	+ - 2" / + 0.02" + -0.2mm	+ - 5"
• Front axle displacement	+ - 2" / + 0.02" + -0.2mm	+ - 5"
• Rear coaxial difference	+ - 2" / + 0.02" + -0.2mm	+ - 5"
• Tread	+ - 2,5mm	180mm
• Wheelbase difference	+ - 2"	3500mm



## Motorized raising column

Raising column system up to 2.7 meters high



## NOTE: Computer not included

The computer is not included in the equipment supplied, allowing the client to purchase it from their trusted supplier, in order to:

- Avoid problems regarding PC warranty.
- Avoid equipment down time owing to computer failure, which can be easily replaced.
- Select monitor and printer settings according to client's liking (screen dimension, quality of printing).

- offer the option to link this equipment to a preexisting network.
- **Windows 7 OS recommended (Windows 8 is in beta version and it has some inconveniences, until a new patch is available, previous versions are advisable).**

### CVA recommends the following equipment setting:

Processor:	i5 or higher
Memory:	4Gb
HDD:	500 GB
Brand:	LENOVO, HP, DELL.
Sound:	Recomendado
OS:	Windows 7 professional 32 Bits.
21" SVGA display (or higher)	
CD ROM reader	
Inkjet or laser printer (black and white or color)	
Keyboard and Mouse	
Internet connection for remote assistance to every client or user.	



\* PC monitor also required.